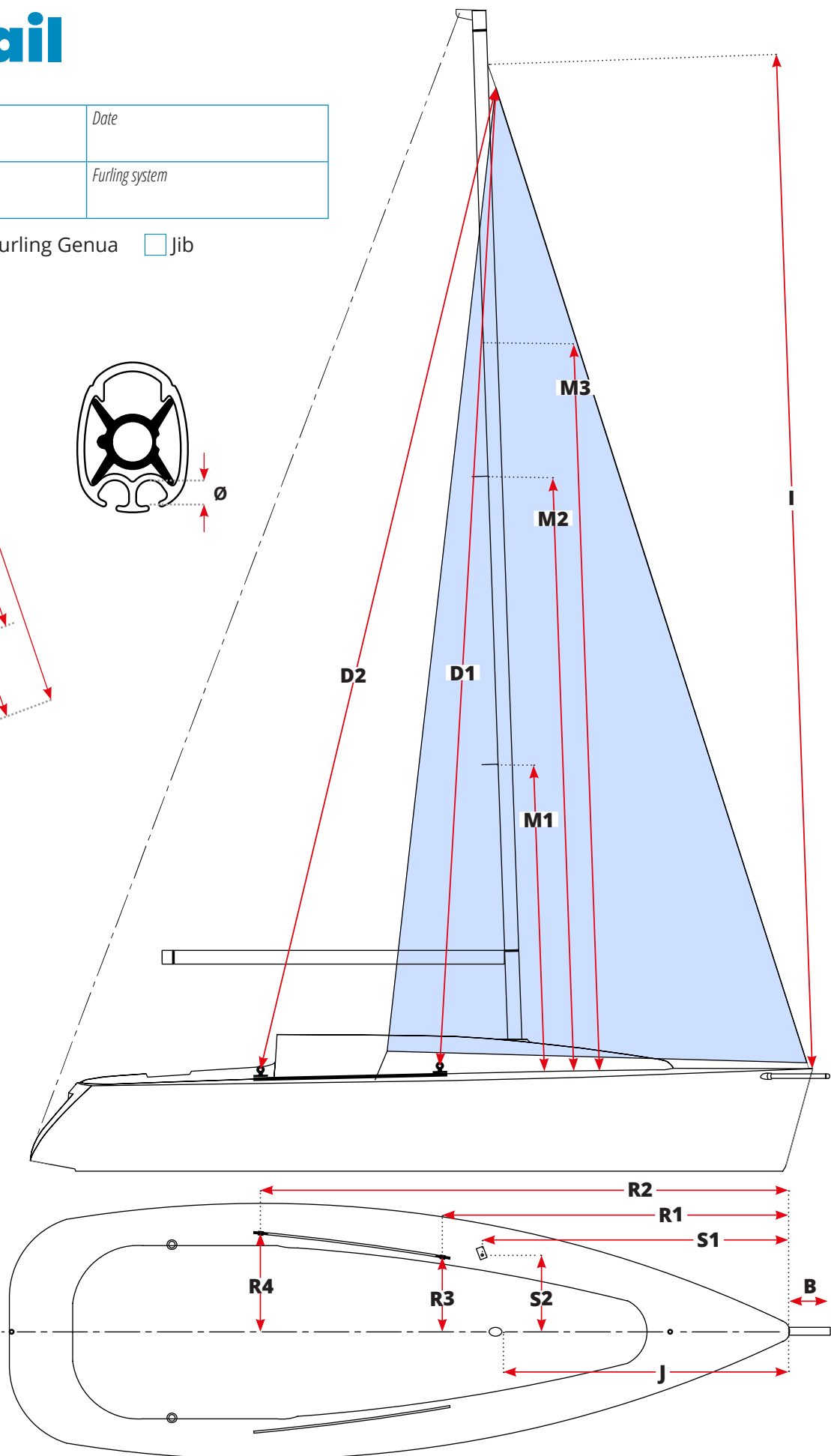
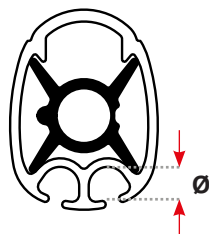
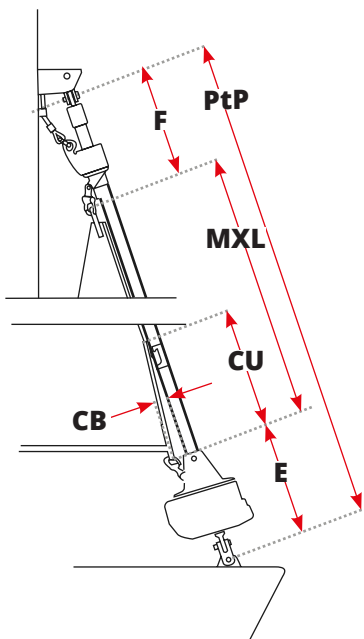


Headsail

Name	Date
Boattype	Furling system

Sailtype Genua Furling Genua Jib



I
J
MXL
PtP
F
E
CU
CB
D1
D2
R1
R2
R3
R4
S1
S2
M1
M2
M3
Ø